

APPENDIX A

CHIMNEY CONNECTOR PASS-THROUGHS

This appendix is informative and is not part of the code.

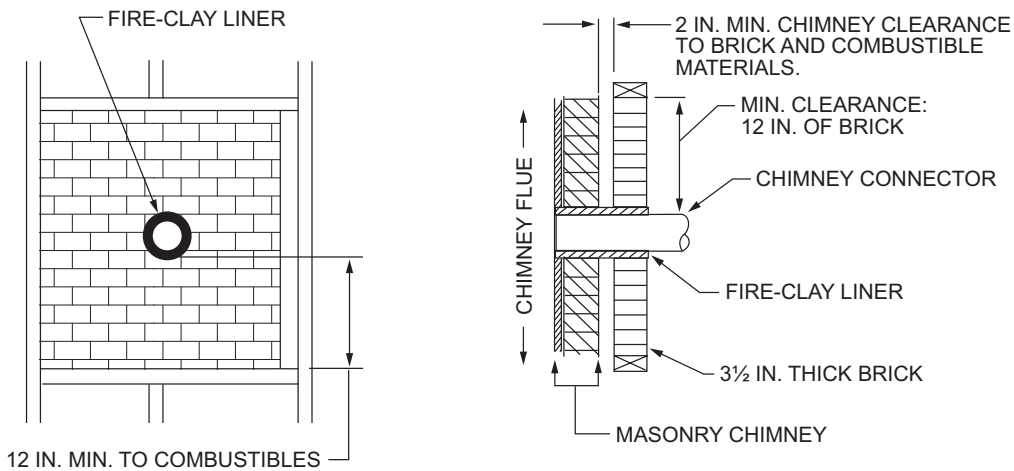
User note:

About this appendix: Appendix A is a depiction of what is prescribed in Table 803.10.4. See Section 803.10.4.

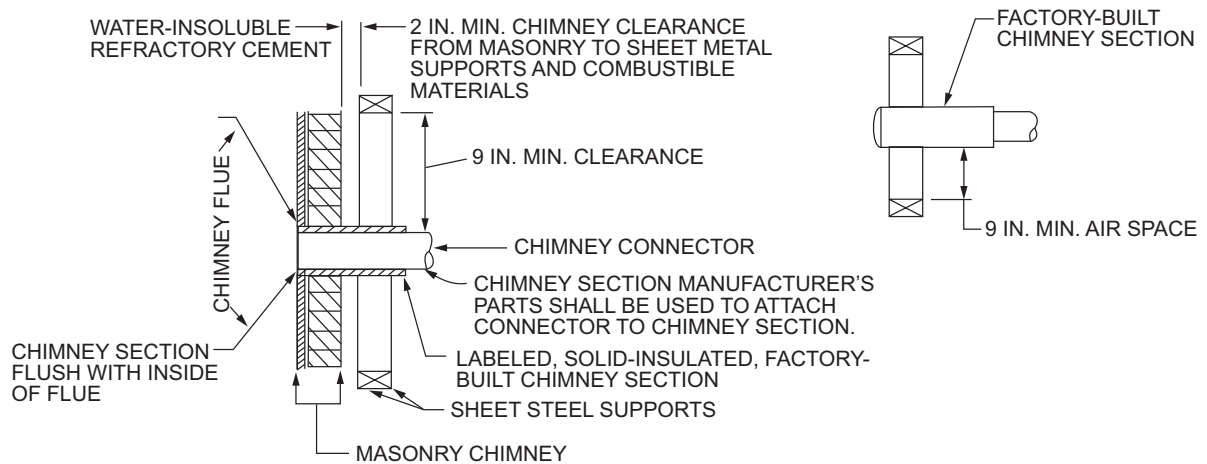
SECTION A101 CHIMNEY CONNECTOR SYSTEMS

A101.1 General. See Figures A101.1(1) and A101.1(2) for illustrations of *chimney* connector systems.

SYSTEM A



SYSTEM B

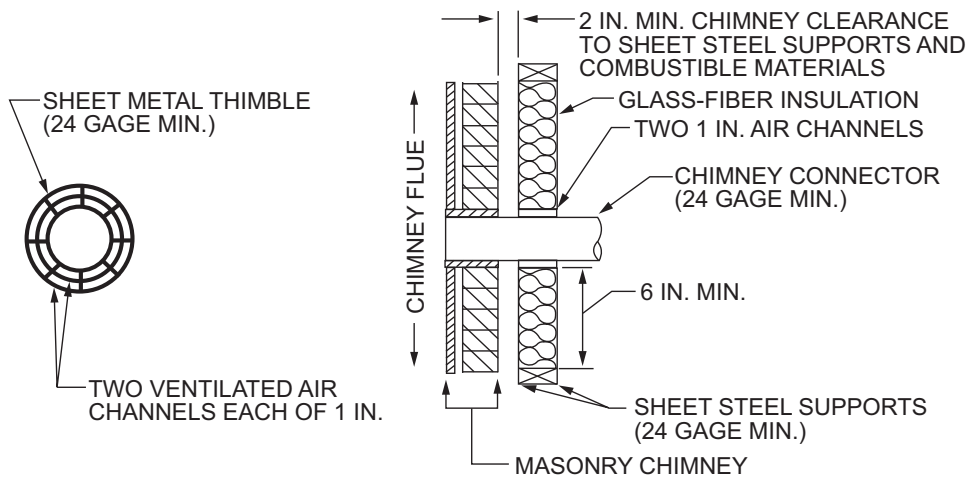


For SI: 1 inch = 25.4 mm.

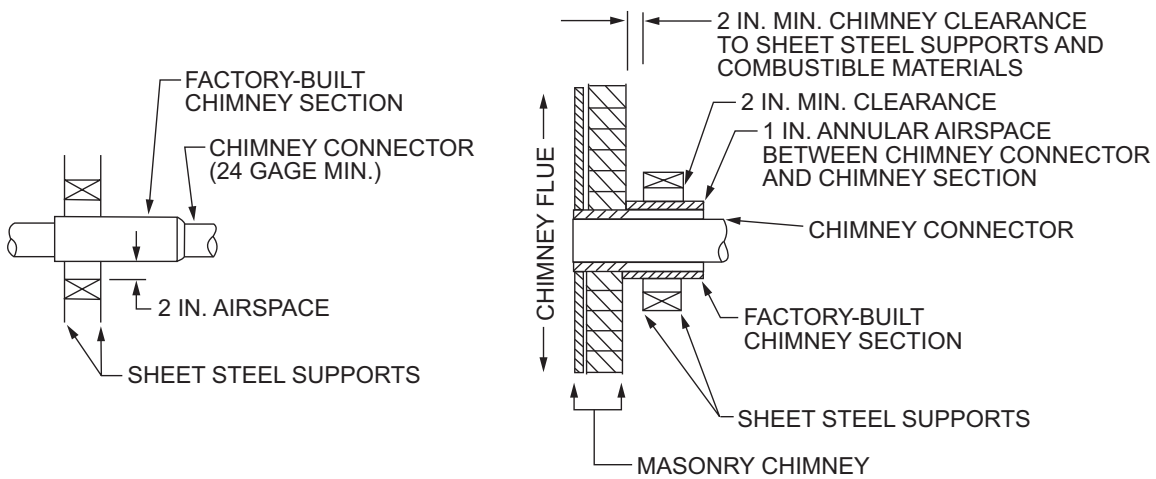
**FIGURE A101.1(1)
CHIMNEY CONNECTOR SYSTEMS**

APPENDIX A—CHIMNEY CONNECTOR PASS-THROUGHS

SYSTEM C



SYSTEM D



For SI: 1 inch = 25.4 mm.

FIGURE A101.1(2)
CHIMNEY CONNECTOR SYSTEMS