

>>>>CAUTION - CALL 811<<<<  
 UTILITY NOTIFICATION CENTER  
 BEFORE YOU DIG!  
 WWW.CALL811.COM

Also, verify all underground utilities not located by the 811 service by using a commercial location service and call SPR Inspection Request Line (206) 684-7034.

APPROVED FOR ADVERTISING:  
 Liz Alzeer  
 Purchasing & Contracting

Seattle, Washington \_\_\_\_\_ Date \_\_\_\_\_ 20\_\_\_\_

Signature: \_\_\_\_\_  
 Director, Purchasing & Contracting

3		
2		
1		
NO.	REVISION - AS BUILT	DATE

REVIEWED: \_\_\_\_\_ DATE \_\_\_\_\_  
 PARK ENGINEER

All work done in accordance with the City of Seattle Standard Plans and Specifications in effect on the date shown above, and supplemented by Special Provisions.

**AUTOSCAN, INC**  
 4040 23RD AVE WEST,  
 SEATTLE, WA 98199

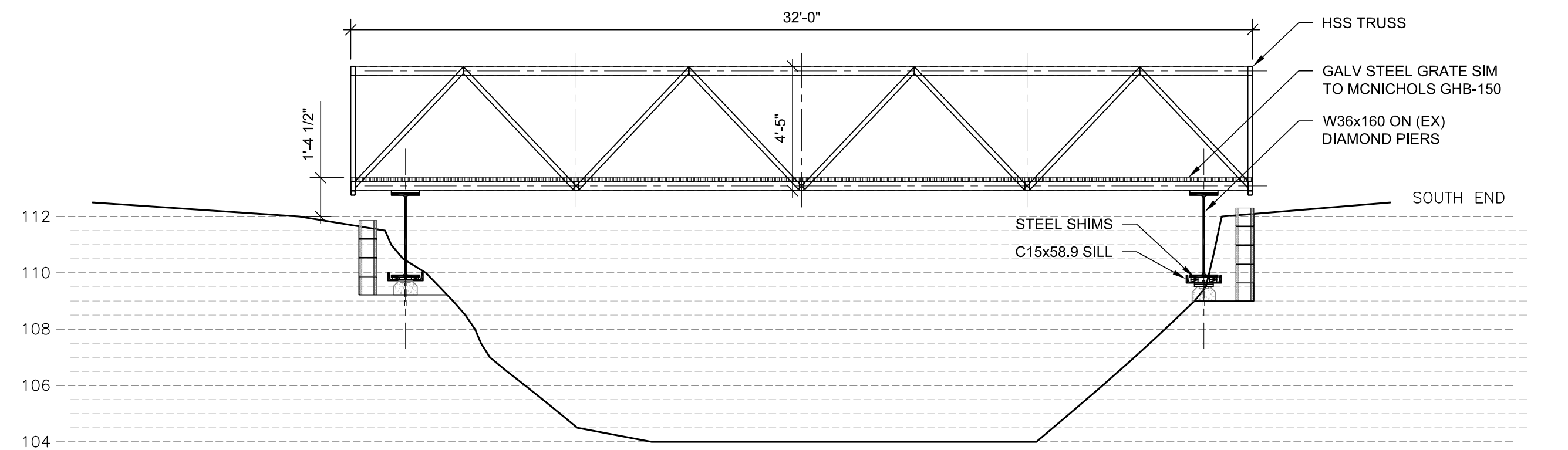
**Seattle Parks & Recreation**

GREG DAVIS NATURAL AREA

LONGFELLOW CREEK  
 TRUSS BRIDGE

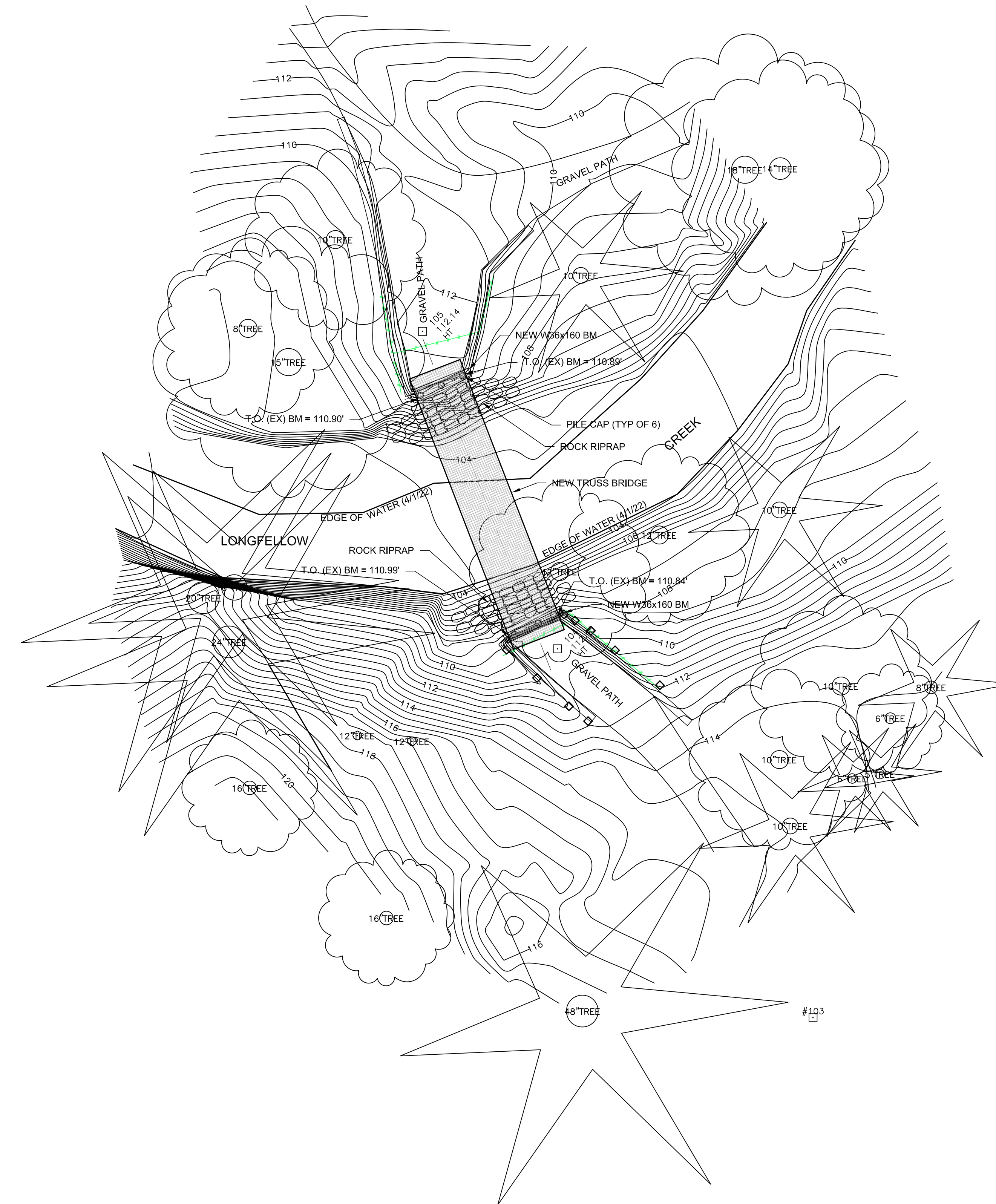
SITE PLAN

DESIGNED EA	DATE 08.10.2022
DRAWN AUTOSCAN, INC	SHEET 02 OF XX
CHECKED EA	
ORDINANCE NO. _____	S2.01
SPECIFICATION NO. _____	
SCALE	



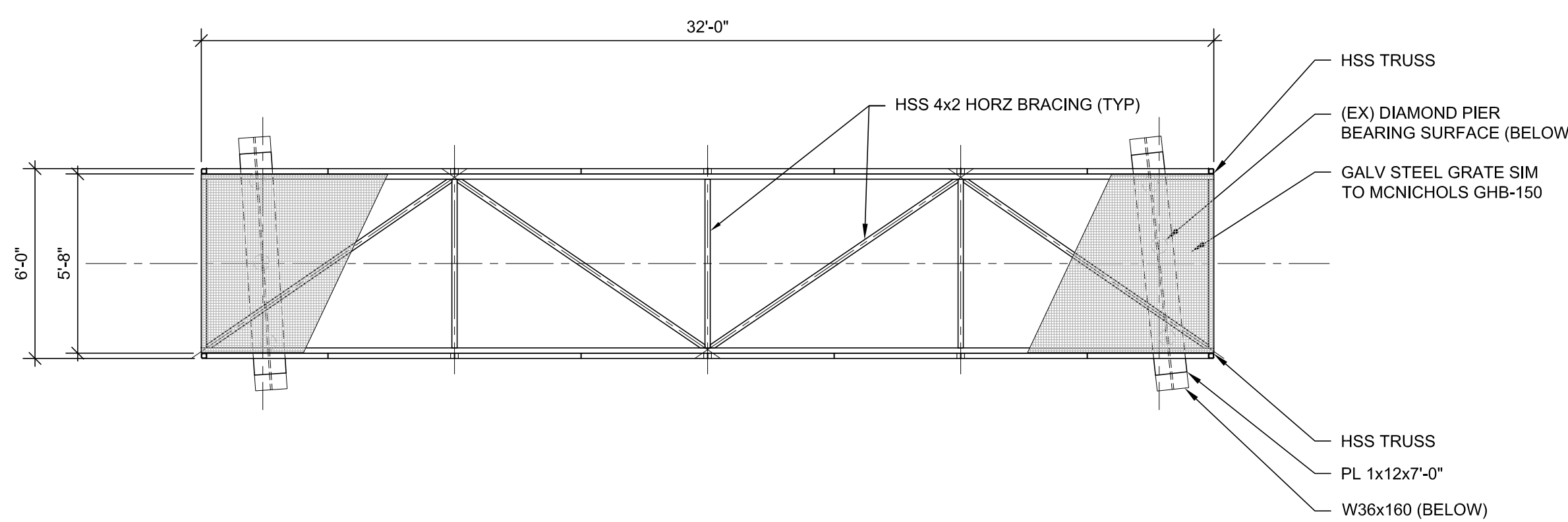
BRIDGE ELEVATION  
 SCALE: 1/4" = 1'-0"

2  
 S1.01



SITE PLAN  
 SCALE: 1/8" = 1'-0"

1  
 S1.01



BRIDGE PLAN  
 SCALE: 1/4" = 1'-0"

3  
 S1.01

**NOT FOR CONSTRUCTION**